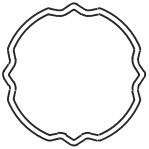
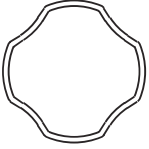
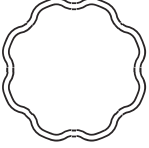
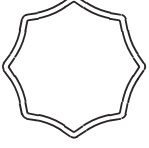
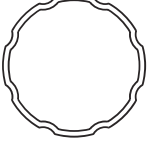
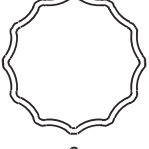
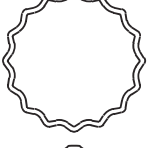
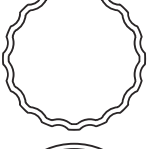
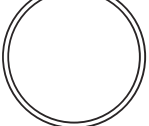


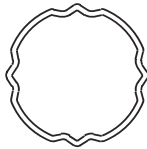
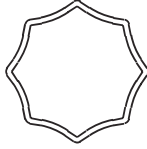
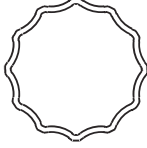
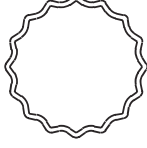
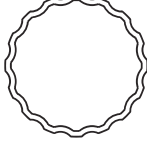
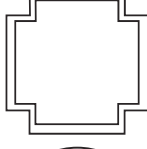
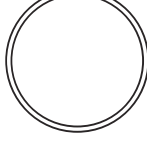
Customize a Lighting Pole

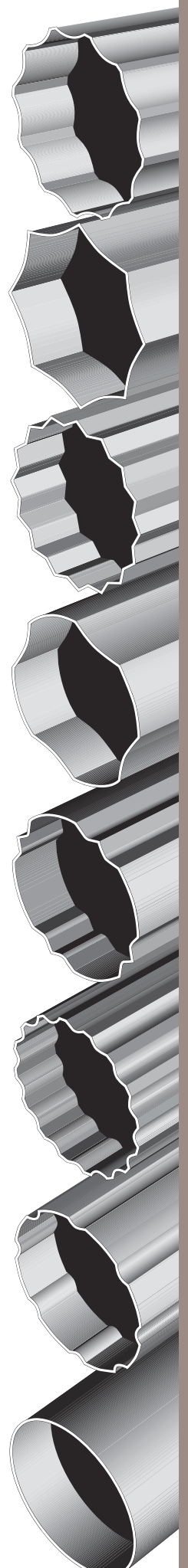
10 Shapes to Make a Design Statement

Steel Flutes

-  4 W Tapered
-  4 Sharp Tapered
-  8 Gear Tooth Tapered
-  8 Sharp Tapered
-  8 Flat Tapered
-  12 Flat Tapered
-  16 Sharp Tapered
-  16 Flat Tapered
-  Round Smooth Tapered & Non-Tapered

Aluminum Flutes

-  4 W Tapered
-  8 Sharp Tapered
-  12 Flat Tapered
-  16 Sharp Tapered
-  16 Flat Tapered & Non-Tapered
-  Cruciform Non-Tapered
-  Round Smooth Tapered & Non-Tapered
- Custom Shapes Available



1391 Calle Avanzado
San Clemente, CA 92673
Office (949)276-8850
Fax (949)276-8855

www.southcoastlighting.com